

PSR-SCP- 24UC/URM4/5X1/2X2


Order No.: 2963734



<http://eshop.phoenixcontact.co.uk/phoenix/treeViewClick.do?UID=2963734>

Single-channel or two-channel contact extension, 5 N/O contacts, 1 N/C contact, 1 confirmation current path, together with basic unit up to Cat. 4 PL e according to EN ISO 13849 safe isolation, plug-in terminal blocks, width: 35 mm



Commercial data	
EAN	 4 017918 591120
Pack	1
Customs tariff	85364900
Product key	CNA152
Country of Origin	DE
Catalog page information	Page 18 (IF-2011)

Product notes

WEEE/RoHS-compliant since:
23/11/2006



Please note that the data given here has been taken from the online catalog. For comprehensive information and data, please refer to the user documentation at <http://www.download.phoenixcontact.com>. The General Terms and Conditions of Use apply to Internet downloads.

Technical data

Input data	
Nominal input voltage U_N	24 V AC/DC
Input voltage range in reference to U_N	0.8 ... 1.1
Typical input current at U_N	47 mA (per channel)
Typical response time	20 ms

Typical release time	20 ms
Concurrence input 1/2	Infinite

Output data

Contact type	5 enabling current paths
	1 signaling current path
	1 confirmation current path
Contact material	AgSnO ₂ , + 0.2 µm Au
Maximum switching voltage	250 V AC/DC
Minimum switching voltage	15 V AC/DC
Limiting continuous current	6 A (N/O contact)
	3 A (N/C contact 11/12)
Maximum inrush current	6 A
	3 A (N/C contact 11/12)
Inrush current, minimum	25 mA
Sq. Total current	$72 A^2 (I_{TH}^2 = I_1^2 + I_2^2 + \dots + I_5^2)$
Interrupting rating (ohmic load) max.	144 W (24 V DC, τ = 0 ms, N/C contact 11/12: 72 W)
	288 W (48 V DC, τ = 0 ms, N/C contact 11/12: 144 W)
	110 W (110 V DC, τ = 0 ms)
	88 W (220 V DC, τ = 0 ms)
	1500 VA (250 V AC, τ = 0 ms, N/C contact 11/12: 750 VA)
Maximum interrupting rating (inductive load)	42 W (24 V DC, τ = 40 ms)
	42 W (48 V DC, τ = 40 ms)
	42 W (110 V DC, τ = 40 ms)
	42 W (220 V DC, τ = 40 ms)
Switching capacity min.	0.4 W
Output fuse	6 A fast blow
	C6 (24 V AC/DC) automatic device

General data

Width	35 mm
Height	99 mm
Depth	114.5 mm
Ambient temperature (operation)	-20 °C ... 55 °C
Ambient temperature (storage/transport)	-40 °C ... 70 °C
Relay type	Electromechanically forcibly guided, dust-proof relay.

Mechanical service life	Approx. 10 ⁷ cycles
Mounting position	Any
Category according to EN 13849-1	4
Stop category	0
Name	Air and creepage distances between the power circuits
Standards/regulations	DIN EN 50178/VDE 0160
Rated surge voltage / insulation	4 kV / Basic isolation, (safe isolation, reinforced insulation and 6 kV between input circuit and enabling current paths(43/44, 53/54, 63/64, 71/72) and between 43/44, 53/54, 63/64, 71/72 themselves.)
Rated insulation voltage	250 V
Pollution degree	2
Surge voltage category	III

Connection data

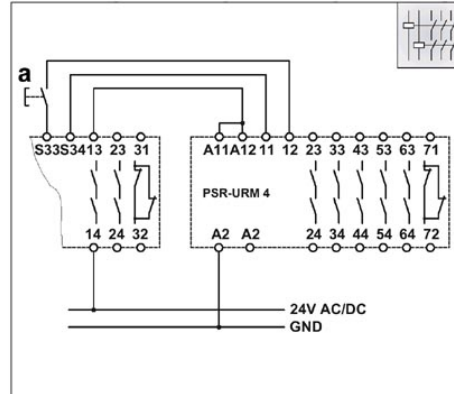
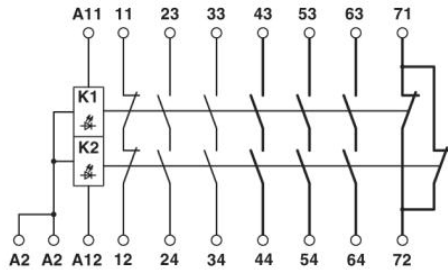
Conductor cross section solid min.	0.2 mm ²
Conductor cross section solid max.	2.5 mm ²
Conductor cross section stranded min.	0.2 mm ²
Conductor cross section stranded max.	2.5 mm ²
Conductor cross section AWG/kcmil min.	24
Conductor cross section AWG/kcmil max	12
Stripping length	7 mm
Screw thread	M3
Connection method	Screw connection

Certificates

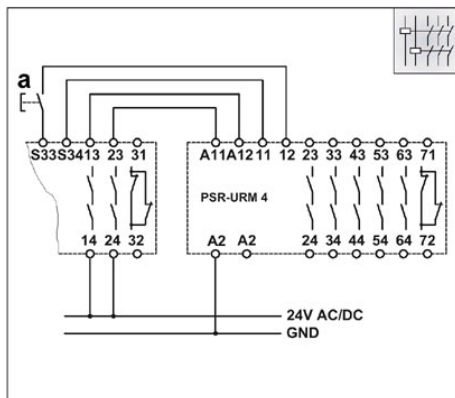
Certification CUL Listed, GOST, UL Listed

Drawings

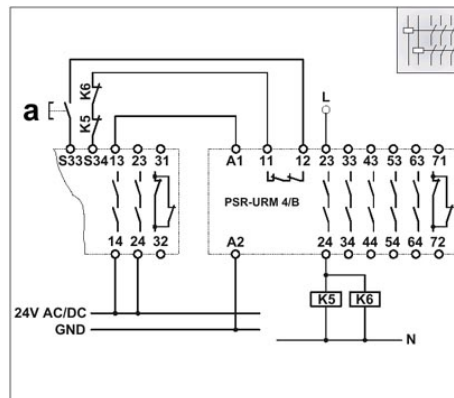
Circuit diagram



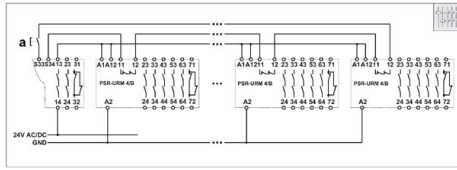
a = RESET
 One-channel connection with checkback path 11/12 integrated in the basic device, suitable up to safety category 4.



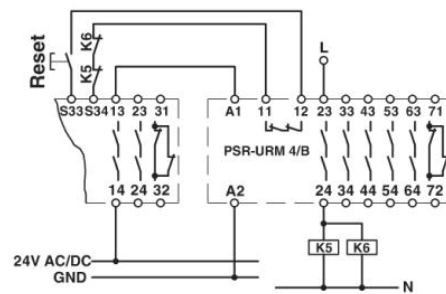
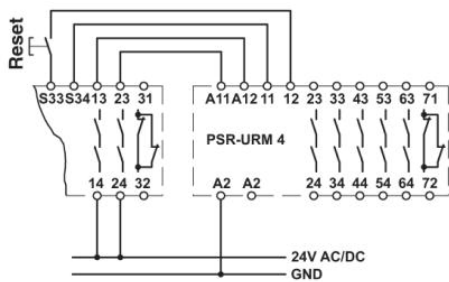
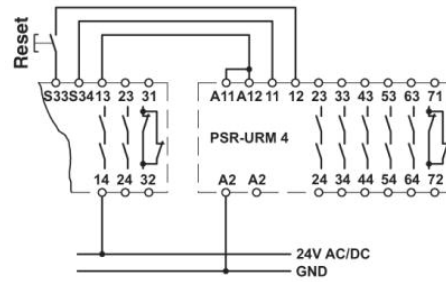
a = RESET
 Two-channel connection with checkback path 11/12 integrated in the basic device, suitable up to safety category 4.



a = RESET
 One-channel connection with checkback path 11/12 integrated in the basic device, suitable up to safety category 2/4. Depends on the basic device. With externally monitored contacts.



a = RESET
 One-channel connection with checkback path 11/12 integrated in the basic device, suitable up to safety category 2/4.
 Depends on the basic device.
 Connection of several expansion modules.



Connection data incl. use groups





Address

PHOENIX CONTACT Ltd
Halesfield 13
Telford / Shropshire / TF7 4PG,England
Phone 01952 681 700
Fax 01952 681 799
<http://www.phoenixcontact.co.uk>



Phoenix Contact Ltd.
Technical modifications reserved;