

PSR-SPP- 24UC/THC4/2X1/1X2

Order No.: 2963983


The figure shows a version with a screw connection



<http://eshop.phoenixcontact.co.uk/phoenix/treeViewClick.do?UID=2963983>

Safety relay for two-hand control devices to EN 574 type IIIC to SIL 3 or Cat. 4, PL e according to EN ISO 13849, simultaneity monitoring < 0.5 s, 2 N/O contacts, 1 N/C contact, safe isolation, pluggable connecting terminal blocks, width: 22.5 mm



Commercial data	
EAN	4 017918 904807 
Pack	1
Customs tariff	85044090
Product key	CNA141
Country of Origin	DE
Catalog page information	Page 17 (IF-2011)

Product notes

WEEE/RoHS-compliant since:
21/08/2006



Please note that the data given here has been taken from the online catalog. For comprehensive information and data, please refer to the user documentation at <http://www.download.phoenixcontact.com>. The General Terms and Conditions of Use apply to Internet downloads.

Technical data

Input data	
Nominal input voltage U_N	24 V AC/DC
Input voltage range in reference to U_N	0.85 ... 1.1
Typical input current at U_N	125 mA AC
	60 mA DC

Voltage at input/start and feedback circuit	Approx. 24 V DC
Typical response time	50 ms
Typical release time	20 ms
Concurrence input 1/2	< 0.5 s
Recovery time	1 s

Output data

Contact type	2 enabling current paths
	1 signaling current path
Contact material	AgSnO ₂ , + 0.2 µm Au
Maximum switching voltage	250 V AC/DC
Minimum switching voltage	15 V AC/DC
Limiting continuous current	6 A
Maximum inrush current	6 A
Inrush current, minimum	25 mA
Interrupting rating (ohmic load) max.	144 W (24 V DC, τ = 0 ms)
	288 W (48 V DC, τ = 0 ms)
	110 W (110 V DC, τ = 0 ms)
	88 W (220 V DC, τ = 0 ms)
	1500 VA (250 V AC, τ = 0 ms)
Maximum interrupting rating (inductive load)	42 W (24 V DC, τ = 40 ms)
	42 W (48 V DC, τ = 40 ms)
	42 W (110 V DC, τ = 40 ms)
	42 W (220 V DC, τ = 40 ms)
Switching capacity min.	0.4 W
Output fuse	10 A gL/gG NEOZED (N/O contact)
	6 A gL/gG NEOZED (N/C contact)

General data

Width	22.5 mm
Height	112 mm
Depth	114.5 mm
Ambient temperature (operation)	-20 °C ... 55 °C
Ambient temperature (storage/transport)	-40 °C ... 70 °C
Relay type	Electromechanically forcibly guided, dust-proof relay.
Mechanical service life	Approx. 10 ⁷ cycles

Mounting position	Any
Category according to EN 13849-1	4
Stop category	0
Name	Air and creepage distances between the power circuits
Standards/regulations	DIN EN 50178/VDE 0160
Rated surge voltage / insulation	6 kV / Safe isolation, increased insulation
Rated insulation voltage	250 V
Pollution degree	2
Surge voltage category	III

Connection data

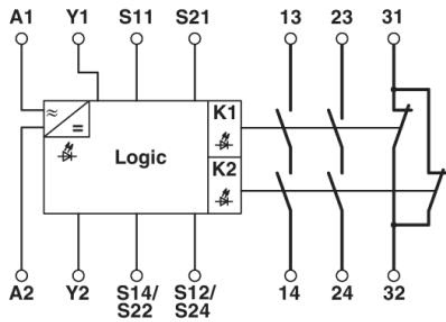
Conductor cross section solid min.	0.2 mm ²
Conductor cross section solid max.	1.5 mm ²
Conductor cross section stranded min.	0.2 mm ²
Conductor cross section stranded max.	1.5 mm ²
Conductor cross section AWG/kcmil min.	24
Conductor cross section AWG/kcmil max	16
Stripping length	8 mm
Connection method	Spring-cage conn.

Certificates

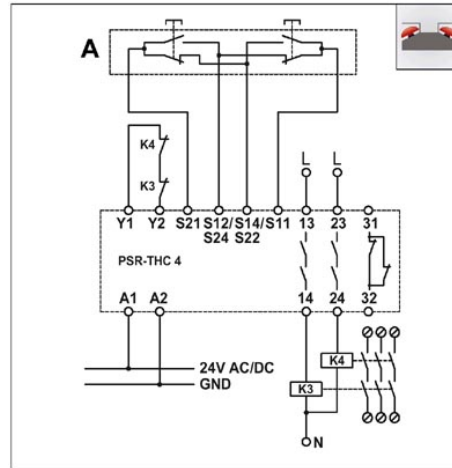
Certification CUL Listed, GOST, TUEV-RH, UL Listed

Drawings

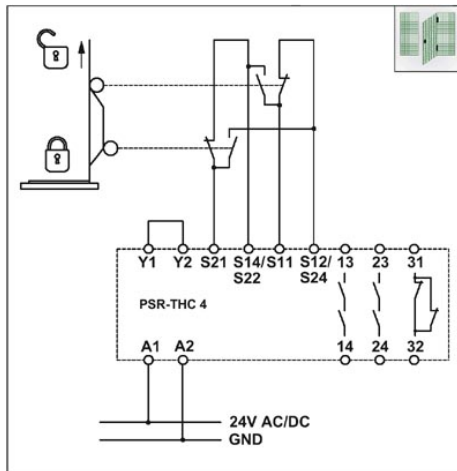
Circuit diagram



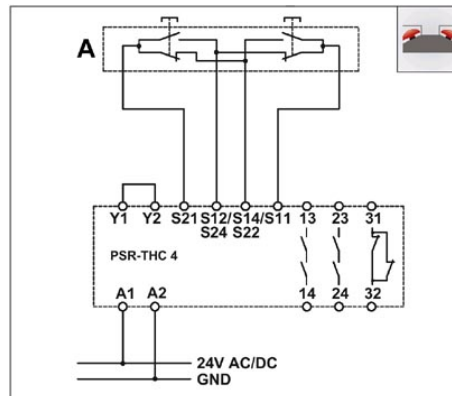
1 = logics



Monitoring of controlling, disabling protective devices in acc. with EN 1088 with equality monitoring < 0.5 s, suitable up to safety category 4.

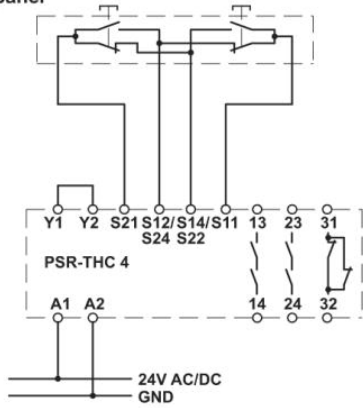


A = two-hand control panel
 Two-hand control systems with equality monitoring < 0.5 s and monitored contact expansion, corresponds to EN 574 type IIC, suitable up to safety category 4.

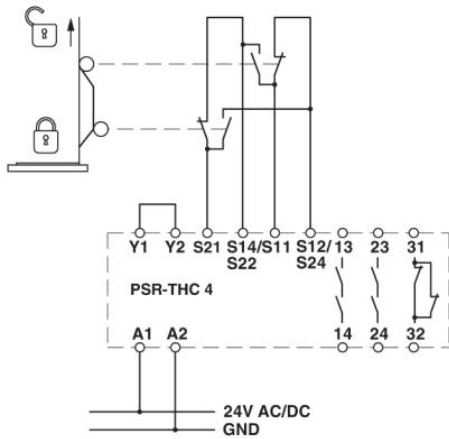
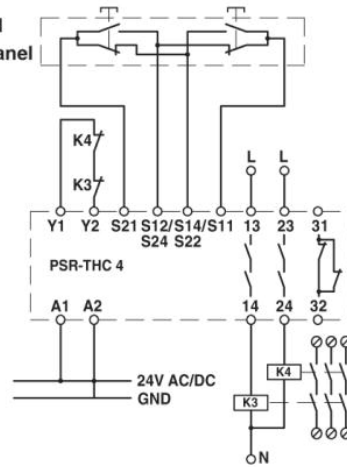


A = two-hand control panel
 Two-hand control systems with equality monitoring < 0.5 s, Corresponds to EN 574 type IIC, suitable up to safety category 4.

Two-hand control panel



Two-hand control panel



Connection data incl. use groups





Address

PHOENIX CONTACT Ltd
Halesfield 13
Telford / Shropshire / TF7 4PG,England
Phone 01952 681 700
Fax 01952 681 799
<http://www.phoenixcontact.co.uk>



Phoenix Contact Ltd.
Technical modifications reserved;