

PSR-SCP-24-230UC/ESAM4/3X1/1X2

Order No.: 2981114



<http://eshop.phoenixcontact.co.uk/phoenix/treeViewClick.do?UID=2981114>

1 or 2-channel safety relay for emergency off and safety door circuits with manual or automatic activation, 3 N/O contacts, 1 N/C contact, Cat. 4 / EN 954-1 or SIL 3 / IEC 61508, pluggable screw terminal blocks, 24 - 230 V AC/DC, width: 45 mm



Commercial data	
EAN	4046356051644
Pack	1
Customs tariff	85364900
Weight/Piece	305.48 g
Country of Origin	DE
Catalog page information	Page 22 (IF-2009)

Product notes

WEEE/RoHS-compliant since:
31/08/2007



Please note that the data given here has been taken from the online catalog. For comprehensive information and data, please refer to the user documentation at <http://www.download.phoenixcontact.com>. The General Terms and Conditions of Use apply to Internet downloads.

Technical data

Input data	
Input voltage range	24 V AC/DC ... 230 V AC/DC
Input voltage range in reference to U_N	0.85 ... 1.1
Typical input current at U_N	120 mA (for 24 V DC)
	15 mA (for 230 V AC)

Voltage at input/start and feedback circuit	Approx. 24 V DC
Typical response time	60 ms (manual start) 250 ms (automatic start)
Typical release time	20 ms (Single-channel)
Concurrence input 1/2	Infinite
Recovery time	1 s
Max. permissible overall conductor resistance	11 Ω (input voltage: $U_1 = 8.4 \text{ V} + 0.02 \times \text{load} \times (\text{V}/\Omega)$)

Output data

Contact type	3 enabling current paths, 1 signaling current path
Contact material	AgSnO ₂
Maximum switching voltage	250 V AC/DC
Minimum switching voltage	15 V AC/DC
Limiting continuous current	6 A
Maximum inrush current	6 A
Inrush current, minimum	25 mA
Sq. Total current	$50 \text{ A}^2 (I_{\text{TH}}^2 = I_1^2 + I_2^2 + I_3^2)$
Interrupting rating (ohmic load) max.	144 W (24 V DC, $\tau = 0 \text{ ms}$) 288 W (48 V DC, $\tau = 0 \text{ ms}$) 110 W (110 V DC, $\tau = 0 \text{ ms}$) 88 W (220 V DC, $\tau = 0 \text{ ms}$) 1500 VA (250 V AC, $\tau = 0 \text{ ms}$)
Maximum interrupting rating (inductive load)	42 W (24 V DC, $\tau = 40 \text{ ms}$) 42 W (48 V DC, $\tau = 40 \text{ ms}$) 42 W (110 V DC, $\tau = 40 \text{ ms}$) 42 W (220 V DC, $\tau = 40 \text{ ms}$)
Switching capacity min.	0.4 W
Output fuse	6 A fast blow C6 (24 V AC/DC) automatic device

General data

Width	45 mm
Height	114.5 mm
Depth	99 mm
Ambient temperature (operation)	-20 °C ... 55 °C
Ambient temperature (storage/transport)	-20 °C ... 70 °C

Service life mechanical	Approx. 10 ⁷ cycles
Mounting position	Any
Category in acc. with EN 954-1	4
Stop category	0
Name	Air and creepage distances between the power circuits
Standards/regulations	DIN EN 50178/VDE 0160
Rated surge voltage / insulation	4 kV / basic isolation (safe isolation, increased isolation and 6 kV between the input circuit and the enabling current paths (13-14, 23-24, 33-34) and between 13-14, 23-24, 33-34 themselves.)
Rated insulation voltage	250 V
Pollution degree	2
Surge voltage category	III

Connection data

Conductor cross section solid min.	0.2 mm ²
Conductor cross section solid max.	2.5 mm ²
Conductor cross section stranded min.	0.2 mm ²
Conductor cross section stranded max.	2.5 mm ²
Conductor cross section AWG/kcmil min.	24
Conductor cross section AWG/kcmil max	12
Stripping length	7 mm
Screw thread	M3
Type of connection	Screw connection

Certificates

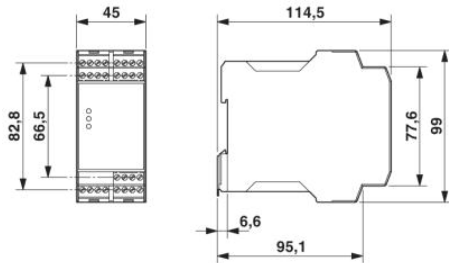


Certification

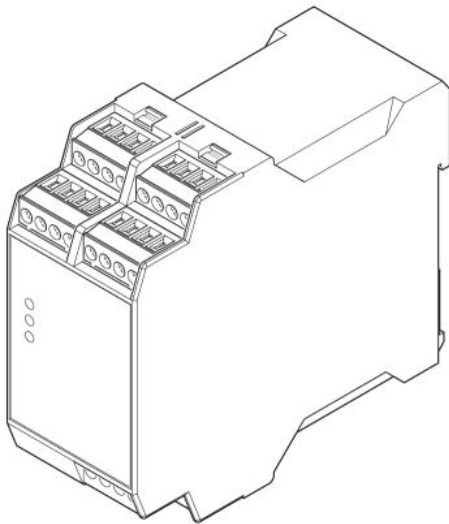
CUL Listed, GOST, TUEV-RH, UL Listed

Drawings

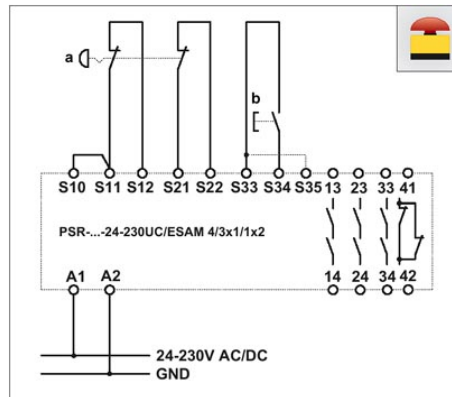
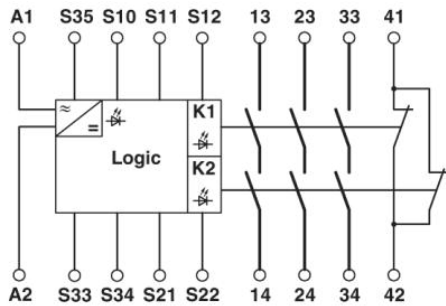
Dimensioned drawing



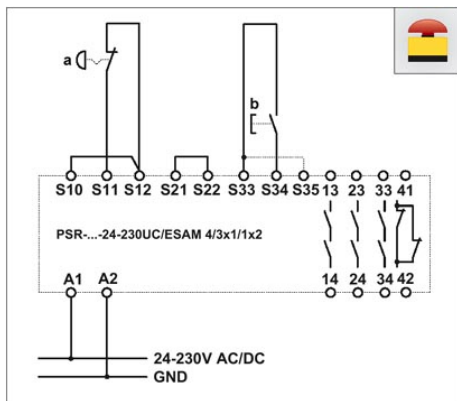
Product drawing



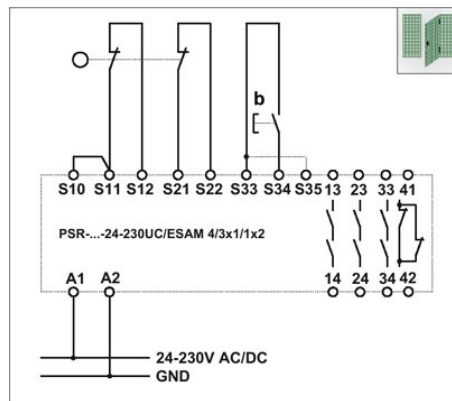
Circuit diagram



a = Emergency off, b= Reset. Two-channel emergency stop circuit with cross-circuiting detection and monitored reset button (bridge on S33/S35: Automatic activation, suitable up to safety category 4, SIL3.



a = Emergency off, b= Reset. Two-channel emergency stop circuit with monitored reset button (bridge on S33/S35: Automatic activation, suitable up to safety category 4, SIL3.



a = Emergency off, b= Reset. Two-channel protective door circuit with cross circuiting detection and monitored reset button (bridge on S33/S35: Automatic activation, suitable up to safety category 4, SIL3.

Address

PHOENIX CONTACT Ltd
Halesfield 13
Telford / Shropshire / TF7 4PG,England
Phone 01952 681 700
Fax 01952 681 799
<http://www.phoenixcontact.co.uk>



Phoenix Contact Ltd.
Technical modifications reserved;