

PSR-SCP- 24DC/FSP/1X1/1X2


Order No.: 2981978



<http://eshop.phoenixcontact.co.uk/phoenix/treeViewClick.do?UID=2981978>

Coupling relay for SIL 3 high/low demand applications, couples digital output signals to the periphery, 1 enabling current path, 1 alarm contact, module for safe state off applications, test pulse filter, fuse, plug-in screw connection, 17.5 mm width



Commercial data	
EAN	4  046356 448352
Pack	1
Customs tariff	85364900
Product key	CNA153
Country of Origin	DE
Catalog page information	Page 37 (IF-2011)

Product notes

WEEE/RoHS-compliant since:
25/03/2009



Please note that the data given here has been taken from the online catalog. For comprehensive information and data, please refer to the user documentation at <http://www.download.phoenixcontact.com>. The General Terms and Conditions of Use apply to Internet downloads.

Technical data

Input data	
Nominal input voltage U_N	24 V DC
Input voltage range	20.4 V DC ... 26.4 V DC
Input voltage range in reference to U_N	0.85 ... 1.1
Typical input current at U_N	55 mA

Typical inrush current	100 mA
Typical response time	50 ms
Typical release time	50 ms
Recovery time	1 s

Output data

Contact type	1 undelayed enabling current path 1 undelayed confirmation current path
Contact material	AgCuNi, + 0.2 µm Au
Maximum switching voltage	250 V AC/DC
Minimum switching voltage	15 V AC/DC
Limiting continuous current	5 A (N/O contact, pay attention to the derating) 100 mA (N/C contact)
Maximum inrush current	5 A
Inrush current, minimum	5 mA
Sq. Total current	25 A ² (observe derating)
Interrupting rating (ohmic load) max.	120 W (24 V DC, τ = 0 ms, N/C contact: 2.4 W) 144 W (48 V DC, τ = 0 ms, N/C contact: 4.8 W) 66 W (110 V DC, τ = 0 ms, N/C contact: 11 W) 60 W (220 V DC, τ = 0 ms, N/C contact: 22 W) 1250 VA (250 V AC, τ = 0 ms, N/C contact: 25 VA)
Maximum interrupting rating (inductive load)	72 W (24 V DC, τ = 40 ms, N/C contact: 2.4 W) 36 W (48 V DC, τ = 40 ms, N/C contact: 4.8 W) 36 W (110 V DC, τ = 40 ms, N/C contact: 11 W) 48 W (220 V DC, τ = 40 ms, N/C contact: 22 W)
Switching capacity min.	75 mW
Output fuse	5 A T fuse

General data

Width	17.5 mm
Height	99 mm
Depth	114.5 mm
Ambient temperature (operation)	-20 °C ... 55 °C
Ambient temperature (storage/transport)	-40 °C ... 80 °C

Max. permissible humidity (storage/transport)	≤ 75 % (Condensation and icing are not permitted based on the average annual temperature)
	≤ 85 % (On an individual basis, condensation and icing are not permitted)
Shock	15 g
Vibration (operation)	2 g
Relay type	Electromechanically forcibly guided, dust-proof relay.
Mechanical service life	Approx. 10 ⁷ cycles
Mounting position	Any
Assembly instructions	In rows with zero spacing
Category according to EN 13849-1	4
Stop category	0
Name	Air and creepage distances between the power circuits
Standards/regulations	DIN EN 50178
Rated surge voltage / insulation	6 kV / Safe isolation, increased insulation
Rated insulation voltage	250 V AC
Pollution degree	2
Surge voltage category	III

Connection data

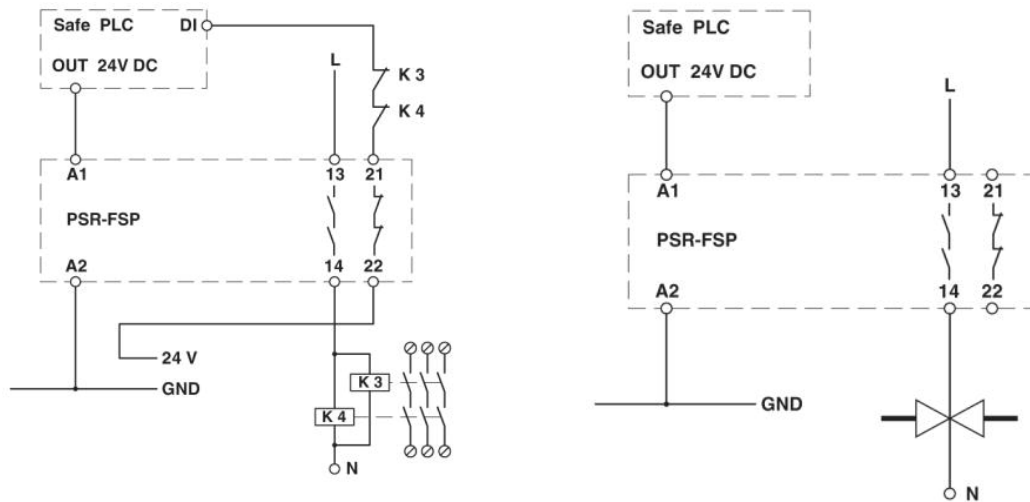
Conductor cross section solid min.	0.2 mm ²
Conductor cross section solid max.	2.5 mm ²
Conductor cross section stranded min.	0.2 mm ²
Conductor cross section stranded max.	2.5 mm ²
Conductor cross section AWG/kcmil min.	24
Conductor cross section AWG/kcmil max	12
Stripping length	7 mm
Screw thread	M3
Connection method	Screw connection

Certificates

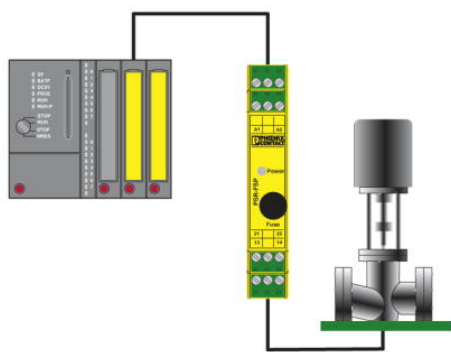
Certification CUL Listed, TUEV-RH, UL Listed

Drawings

Connection diagram

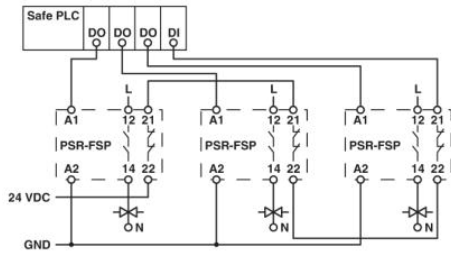
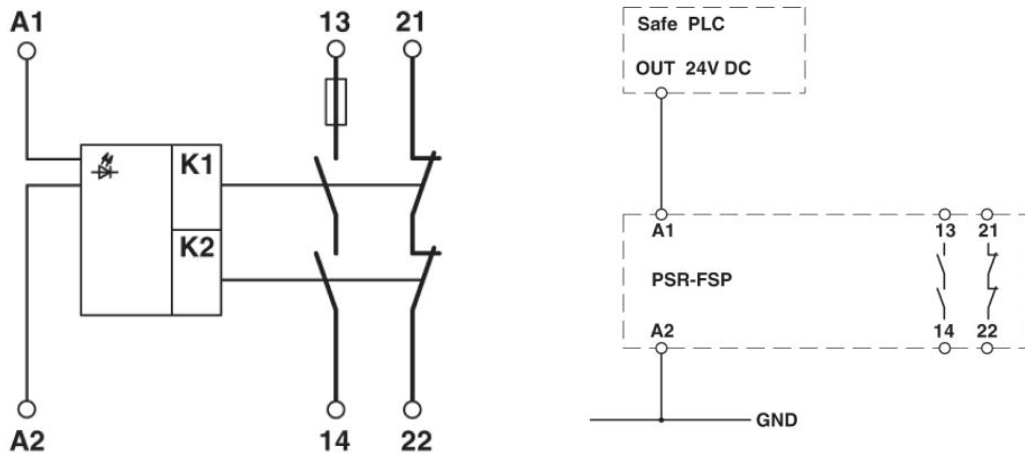


Application drawing

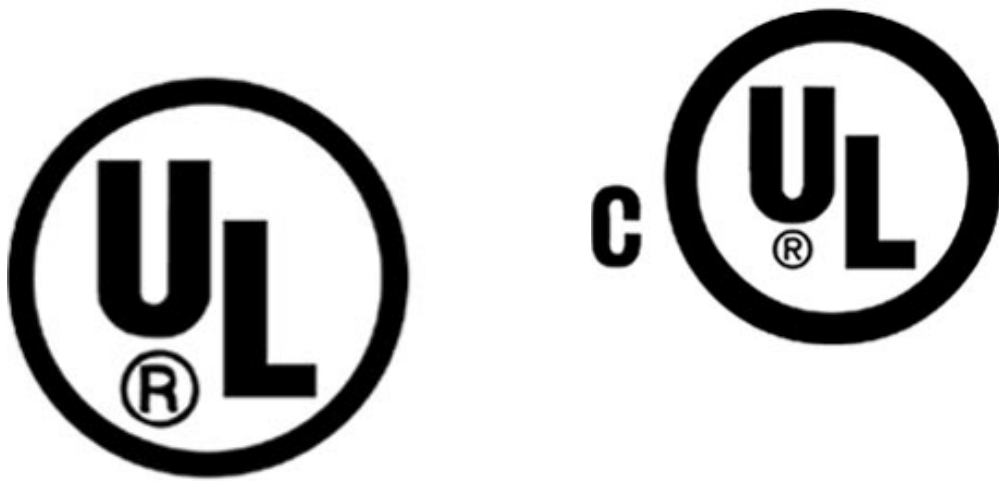


Example of electrical isolation of a safety PLC output from the field.

Circuit diagram



Connection data incl. use groups



Address

PHOENIX CONTACT Ltd
Halesfield 13
Telford / Shropshire / TF7 4PG,England
Phone 01952 681 700
Fax 01952 681 799
<http://www.phoenixcontact.co.uk>



Phoenix Contact Ltd.
Technical modifications reserved;